

SKYGERA®

www.shengkai.com

Severe Service Valves for Severe Industries

CBF Style Ceramic Butterfly Valve

Aggressive Slurry Control Valve

- Excellent, cost effective control valve for aggressive media.
- Eliminates characteristic problems of butterfly valves in abrasive media: disc wear.
- Ceramics materials are 6-8 times harder than most alloys.
- Ceramics are nearly universally chemical resistant.
- Full control options, including 4-20mA positioner and actuator.
- Multiple ANSI and DIN flange standards available. ANSI 150 and 300 classes are also available.
- Ceramic seat materials are selected on an application basis. Options include Alumina, Zirconia, Silicon Carbide, and others.
- Body materials are selected on an application basis. Options include Super Duplex Stainless Steel, Hastelloy, Stainless Steel, Cast steel and others.

Used in these Applications:

- FGD media control valve
- Catalyst control
- Pneumatic transport



CBF Style

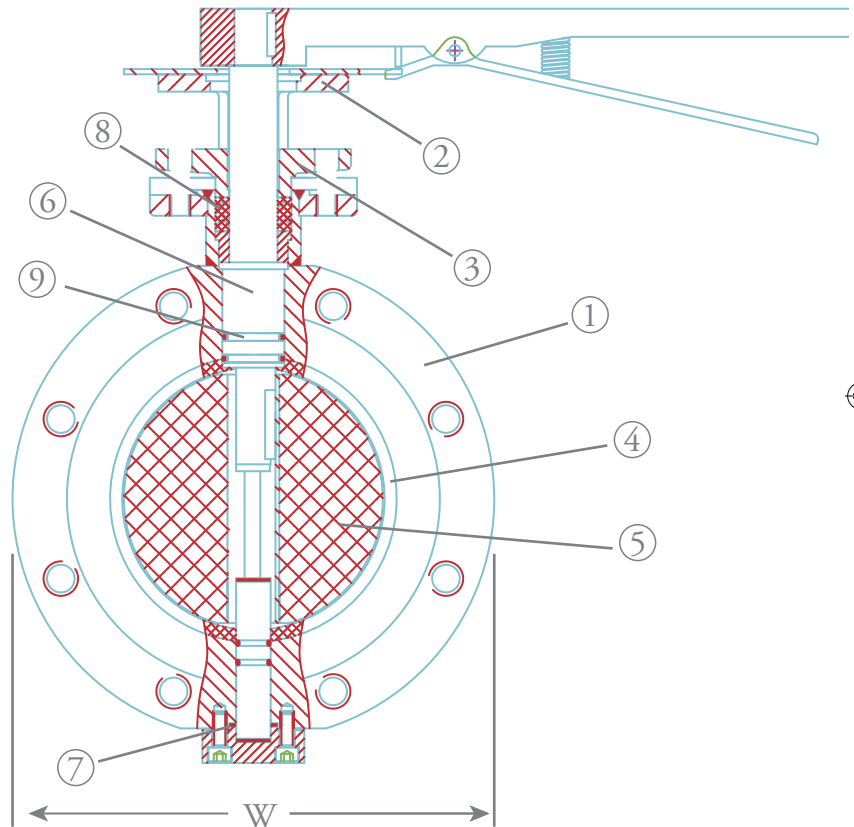
Ceramic Butterfly Valve

Aggressive Slurry Control Valve

Product Specifications

Typical Materials		
1	Body	Carbon Steel
2	Actuator Yoke	Carbon Steel
3	Packing Gland	Carbon Steel
4	Lining / Seat	Ceramic
5	Disc	Ceramic
6	Stem	17-4
7	Gaskets	PTFE
8	Packing	PTFE
9	O-Rings	Viton

Standard Valve	
Pressure Rating:	150 psi
Temperature Rating:	390° F
Maximum Size:	12"
Extended range units available on custom basis.	



Dimensions (Inches, Class 150)

Size		2"	3"	4"	6"	8"	10"	12"
Face to Face	L	1.625	1.75	2	2.125	2.5	2.5	3
Bore	D	2	3	4	6	8	10	12
Width	W	6.00	7.50	9.00	11.00	13.50	16.00	19.00